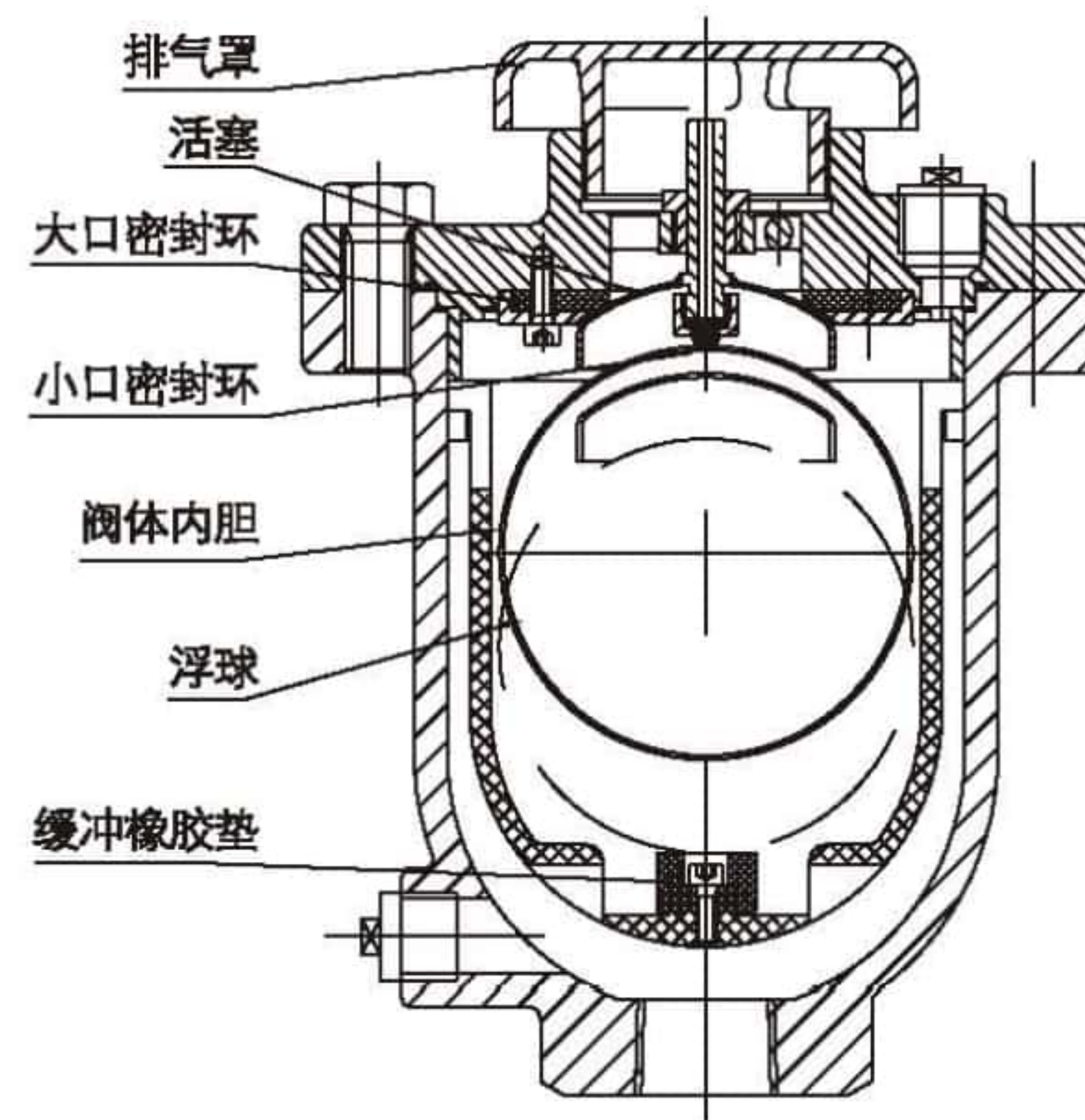




## ZFCARX Clean Water Air Release Valve



DN20 ~ DN50

### 用途

#### Purpose

该产品安装于管道最高点或有闭气的地方，用来排除管内的气体，使管道运转正常，如停电、停泵。该阀能及时进气，确保管道安全。

This product is set on the highest point of pipelines or the place where there is gas-lock and used to exhaust the air inside of the pipeline to have it normally workable and, in case of power-off or pump stop, this valve can suck air in on-time to make sure of the pipeline safety.

### 特点

#### Characteristics

- 1、在刚启泵，通过大口径排除管线中大量气体，提高水泵的输水效率；
  - 2、当管线正常供水时产生的微量气体，通过活塞杆上的小孔排出，始终保证管线满管供水。
1. Start the pump and, via a big aperture, exhaust a great deal of air in the pipeline to enhance the water transporting efficiency of the pump.
  2. The micro air produced when the pipeline is in normal water supply is exhausted from the small hole on the piston rod so as to have the pipeline full of water all the time in the water supply.





## 性能规范

### Performance specification

公作压力 Nominal pressure: PN16

适用温度 Applicable temperature:  $\leq 80^{\circ}\text{C}$

适用介质 Applicable medium: 清水 Clear water

空气关闭压力 Shut down air pressure: 0.1MPa

最小水密封压力 Minimum water seal pressure: 0.02MPa

## 主要零件材料

### Main parts materials

阀体、阀盖、排气罩—QT450—10

浮球、活塞—0Cr18Ni9

大、小口密封环—NBR/EPDM

阀体内胆—ABS

Body, bonnet, exhaust hood—QT450—10

Floating ball, piston—0Cr18Ni9

Big and small mouth seal ring—NBR/EPDM

Internal bladder of body—ABS

## 主要外形尺寸

### Main outer size

PN	DN	D1	H	A × B
1.6MPa	20	3/4"	260	145 × 145
	25	1"	260	145 × 145
	32	1 1/4"	260	145 × 145
	40	1 1/2"	260	145 × 145