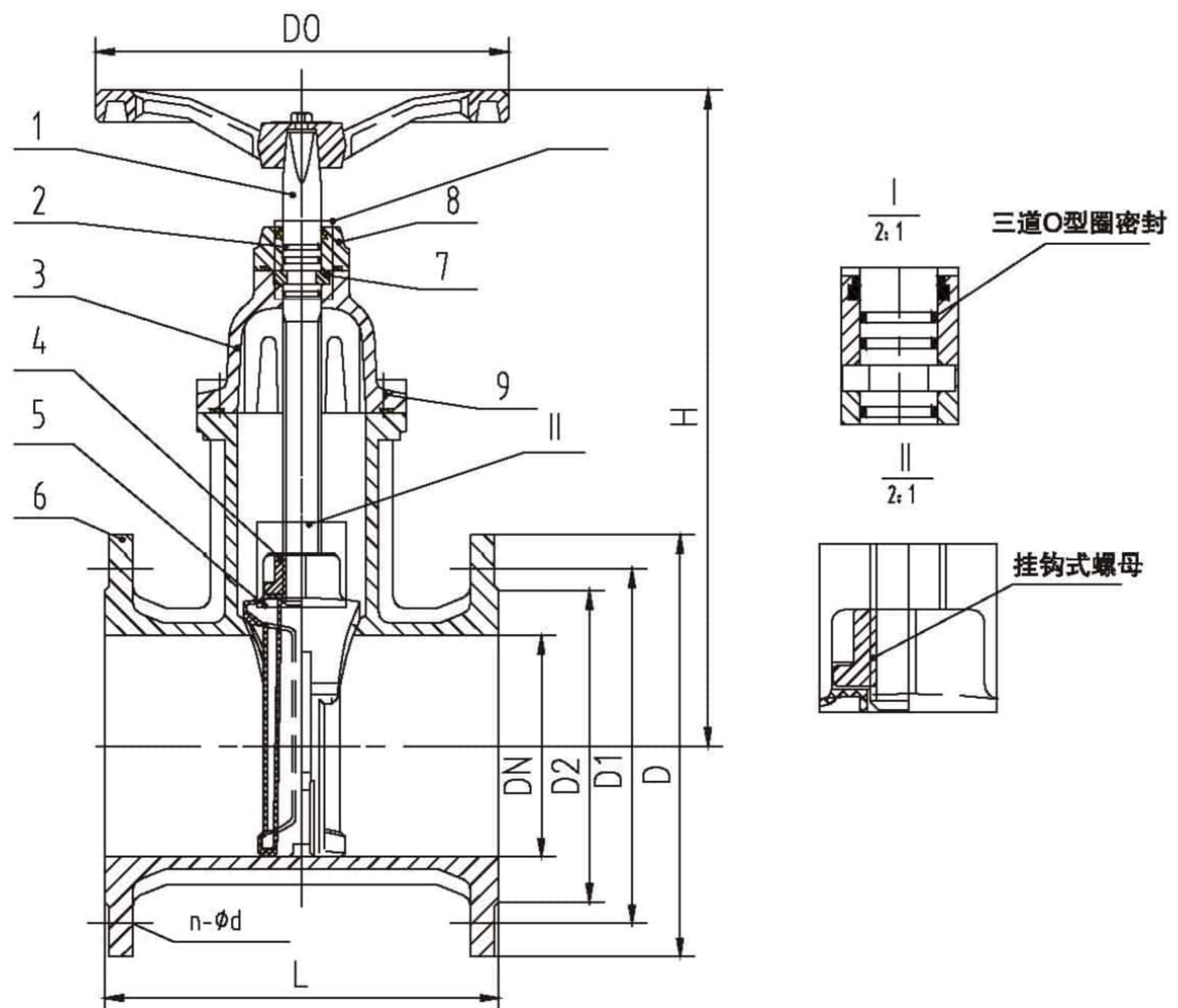




ZFZ45X Manual Resilient Gate Valve



用途

Purpose

本阀门安装于各种管路上，作为双向闭路设备使用。广泛应用于自来水、污水处理、冶金石油、建筑、化工、电力等行业。

This valve is mounted on various pipelines and used as a dual-way closed installation for tap water, sewage treatment, metallurgy, petroleum, construction, chemical, electric power etc. trades.



特点

Characteristics

- 1、防尘圈加三道“O”型密封圈设计，密封可靠，可在线更换。
- 2、闸板与铝青铜螺母自润滑好、强度高，可单独更换铝青铜螺母，无需整体更换闸板。
- 3、闸板包胶、耐腐蚀、密封性好。
- 4、表面处理先进，采用无害环氧树脂静电粉末涂装，耐腐蚀，无污染，可用于饮水管路。
- 5、阀体采用无闸槽设计，通道平滑，不会造成杂物淤积，更适用于污水工况。
- 6、整体密封可靠，高压密封在1.5倍公称压力，低压密封0.02MPa下零泄漏。

1. The seal is designed with dustproof ring plus three "O"-seal rings, reliable sealing, on-line replaceable.
2. Wedge disc and aluminum bronze nut self lubrication, high strength, can be replaced individually aluminum bronze nut, no need to replace the entire Wedge disc.
3. Rubber wrapped gate, anti-corrosion, good tightness.
4. Advanced surface treatment, coated with non-toxic epoxy resin static powder, anti-corrosion, pollution-free, can be used drinking water pipeline.
5. The body is designed without gate slot, the smooth passage will not get impurities filling up, more applicable for sewage working condition.
6. The integral seal works reliably. For the high pressure seal, leaving zero leakage under 1.5 times nominal pressure and, for the low pressure one, under 0.02MPa.

执行标准

Execution standard

设计制造标准 Design manufacture according : CJ/T216

结构长度 Structure length: GB/T 12221

法兰尺寸 Face to face: GB/T 17241.6(铸铁 Cast iron)、GB/T 9113.1(铸钢 Cast steel)

试验检验 Test test: GB/T 13927

性能规范

Performance specification

公称通径 Nominal diameter	50~800			mm
公称压力 Nominal pressure	1.0	1.6	2.5	MPa
壳体试验 Shell test	1.5	2.4	3.75	
密封试验 Sealing test	1.1	1.76	2.75	
气密封试验 Air seal test	0.6	0.6	0.6	
工作温度 Working temperature	≤100			℃
适用介质 Applicable medium	水、污水 Water, sewage			